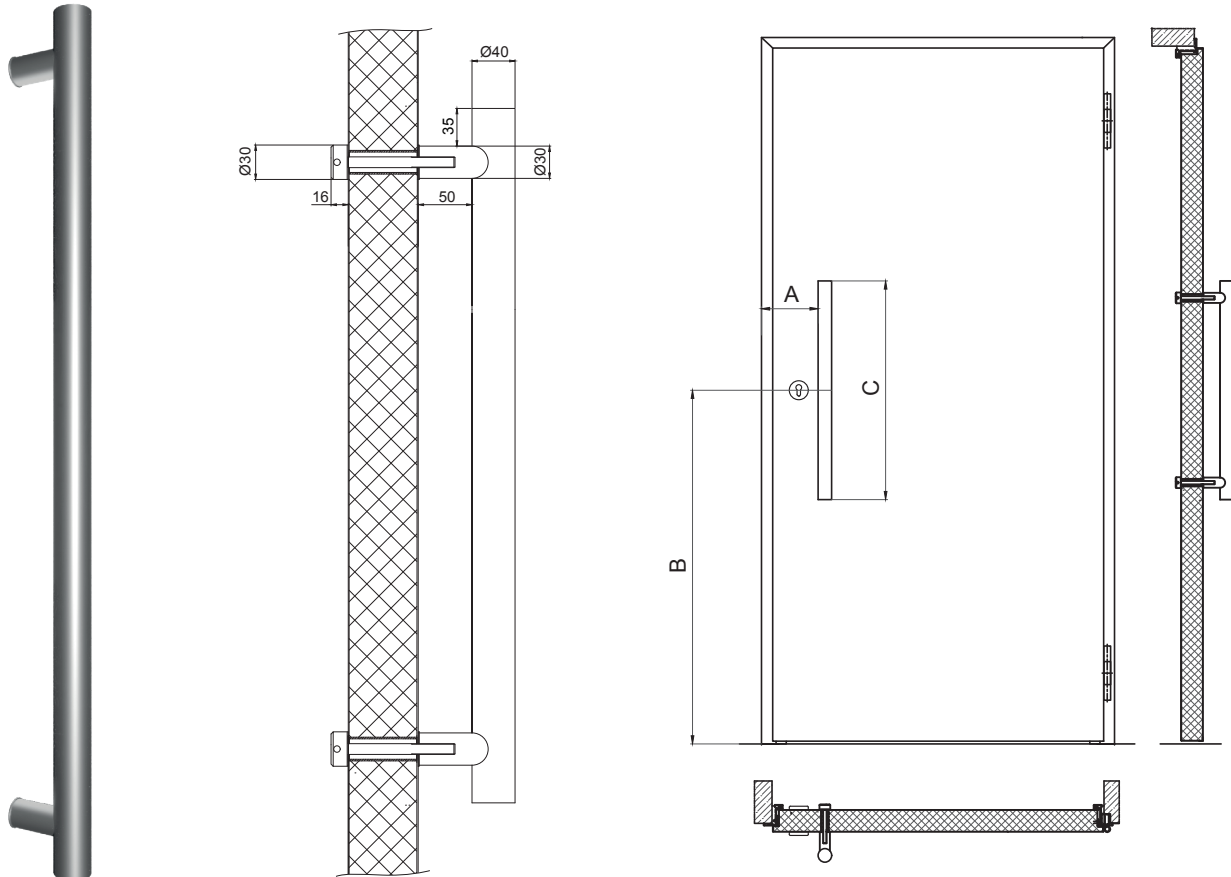


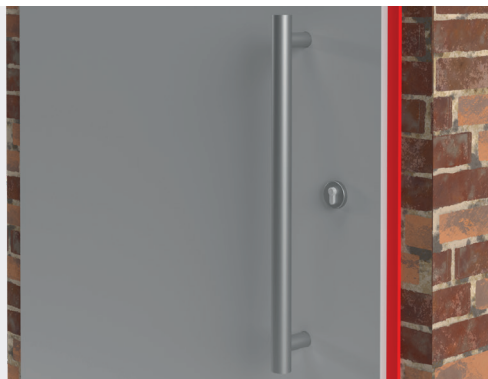
## ONE SIDE PULL BAR, STRAIGHT, FIXED-THROUGH; for non-fire resistant doors

- the fixed-through pull bar is meant for non-fire resistant doors
- minimum height: 300 mm, max height – upon establishment
- diameter: 40 mm
- material: stainless steel 1.4301 (304)
- position on door leaf aside of/above of the cylinder:  
sizes A, B, C upon establishment
- installation: on screws; covering caps on the opposite door leaf side



→ cross sections and sizes

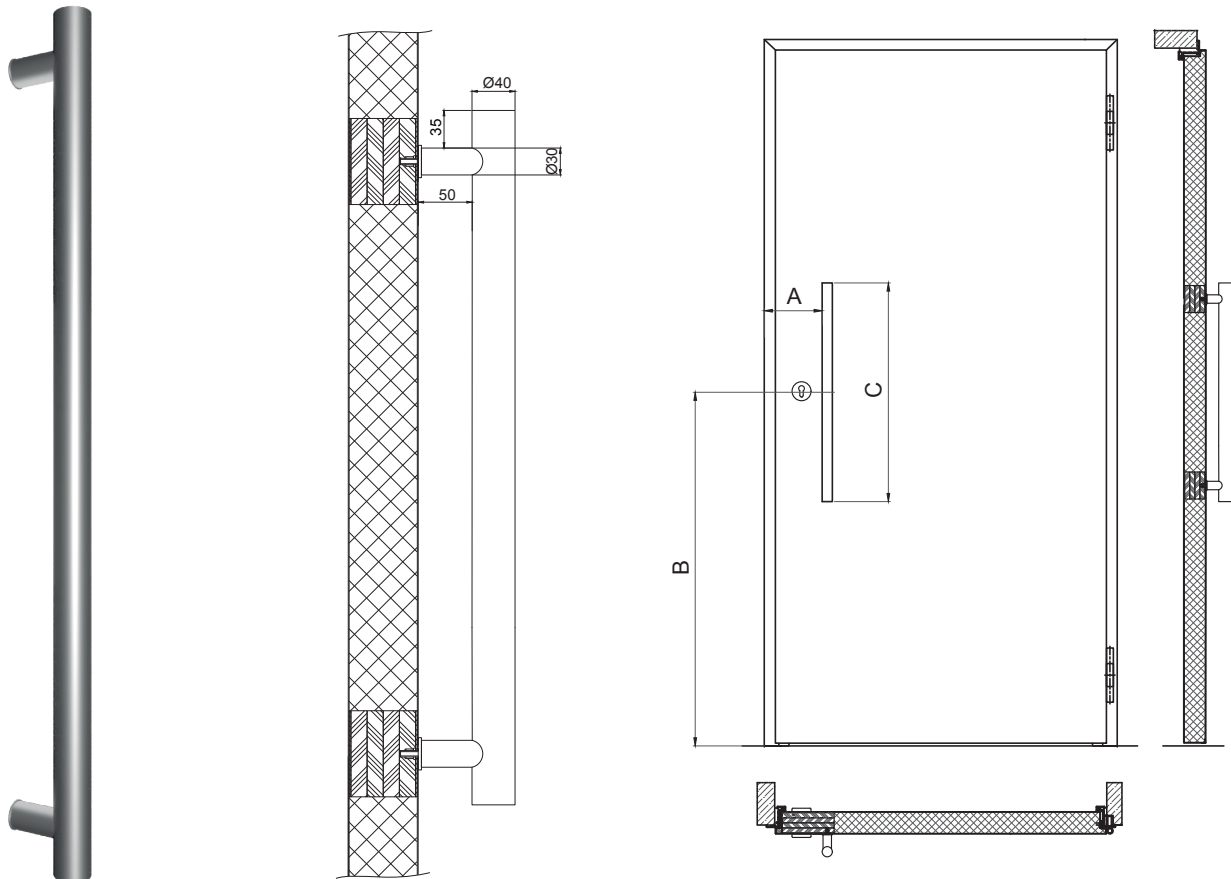
**material:**  
stainless steel 1.4301  
(304)



straight,  
fixed-through,  
for non-fire  
resistant doors

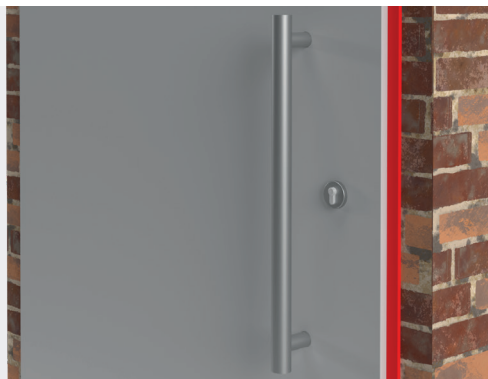
## ONE SIDE PULL BAR, STRAIGHT, FIXED ON RIVET NUTS; for both fire and non-fire resistant doors

- the pull bar fixed on rivet nuts is meant for both fire and non-fire resistant doors
- minimum height: 300 mm, max height – upon establishment
- diameter: 40 mm
- material: stainless steel 1.4301 (304)
- position on door leaf aside of/above of the cylinder: sizes A, B, C upon establishment
- installation: on rivet nuts; covering caps on the opposite door leaf side



→ cross sections and sizes

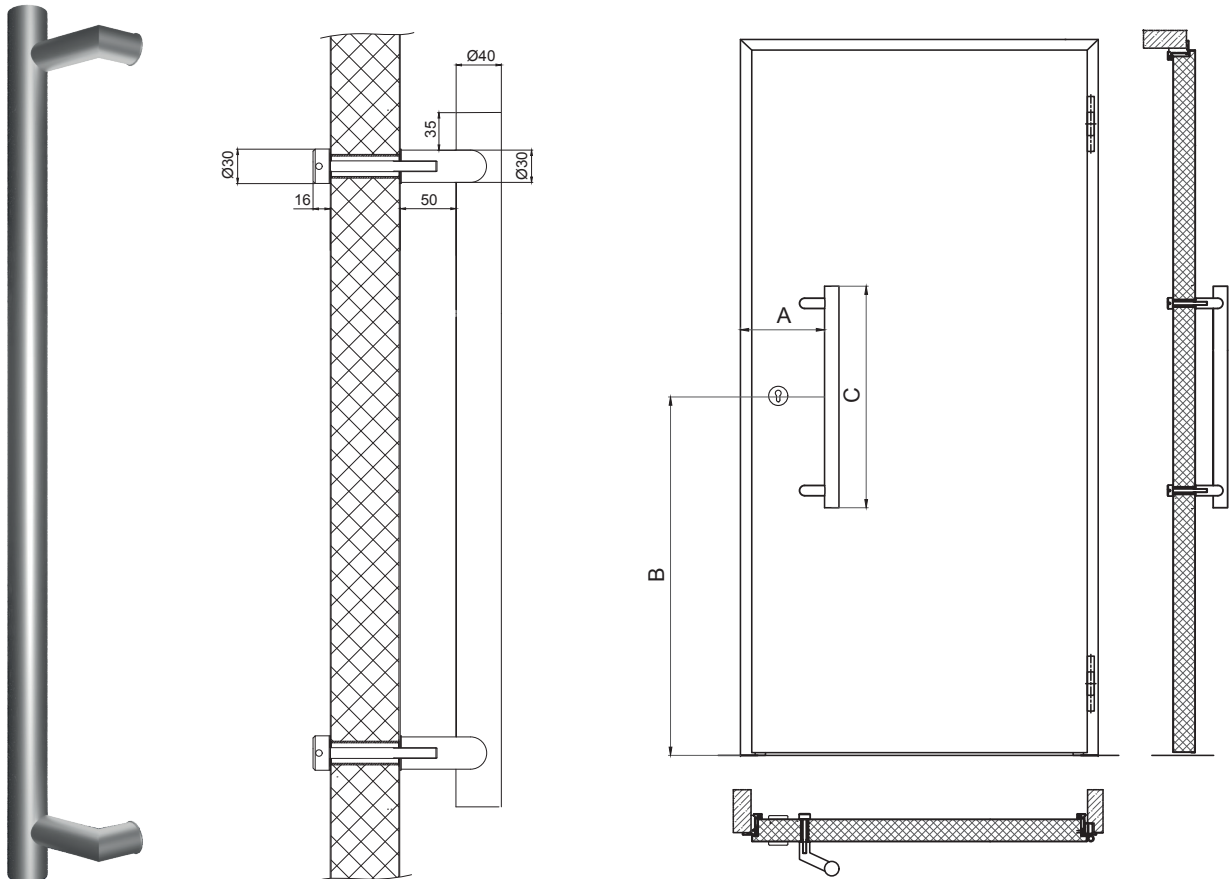
**material:**  
stainless steel 1.4301  
(304)



straight,  
fixed on rivet nuts,  
for both fire  
and non-fire  
resistant doors

## ONE SIDE PULL BAR, SLANTED, FIXED-THROUGH; for non-fire resistant doors

- the fixed-through pull bar is meant for non-fire resistant doors
- minimum height: 300 mm, max height – upon establishment
- diameter: 40 mm
- material: stainless steel 1.4301 (304)
- position on door leaf aside of/above of the cylinder:  
sizes A, B, C upon establishment
- installation: on screws; covering caps on the opposite door leaf side



→ cross sections and sizes

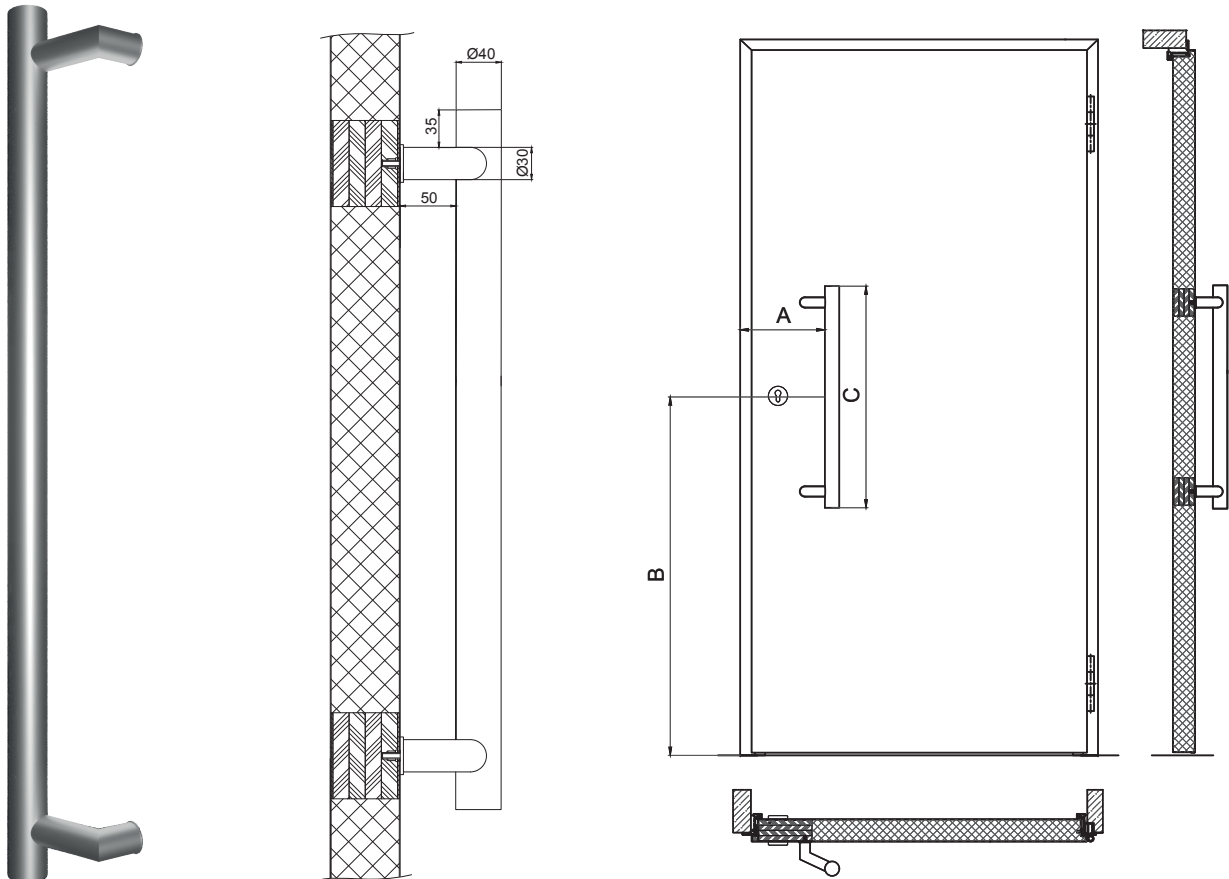
**material:**  
stainless steel 1.4301  
(304)



slanted,  
fixed-through,  
for non-fire  
resistant doors

## ONE SIDE PULL BAR, SLANTED, FIXED ON RIVET NUTS; for both fire and non-fire resistant doors

- the pull bar fixed on rivet nuts is meant for both fire and non-fire resistant doors
- minimum height: 300 mm, max height – upon establishment
- diameter: 40 mm
- material: stainless steel 1.4301 (304)
- position on door leaf aside of/above of the cylinder: sizes A, B, C upon establishment
- installation: on rivet nuts; covering caps on the opposite door leaf side



→ cross sections and sizes

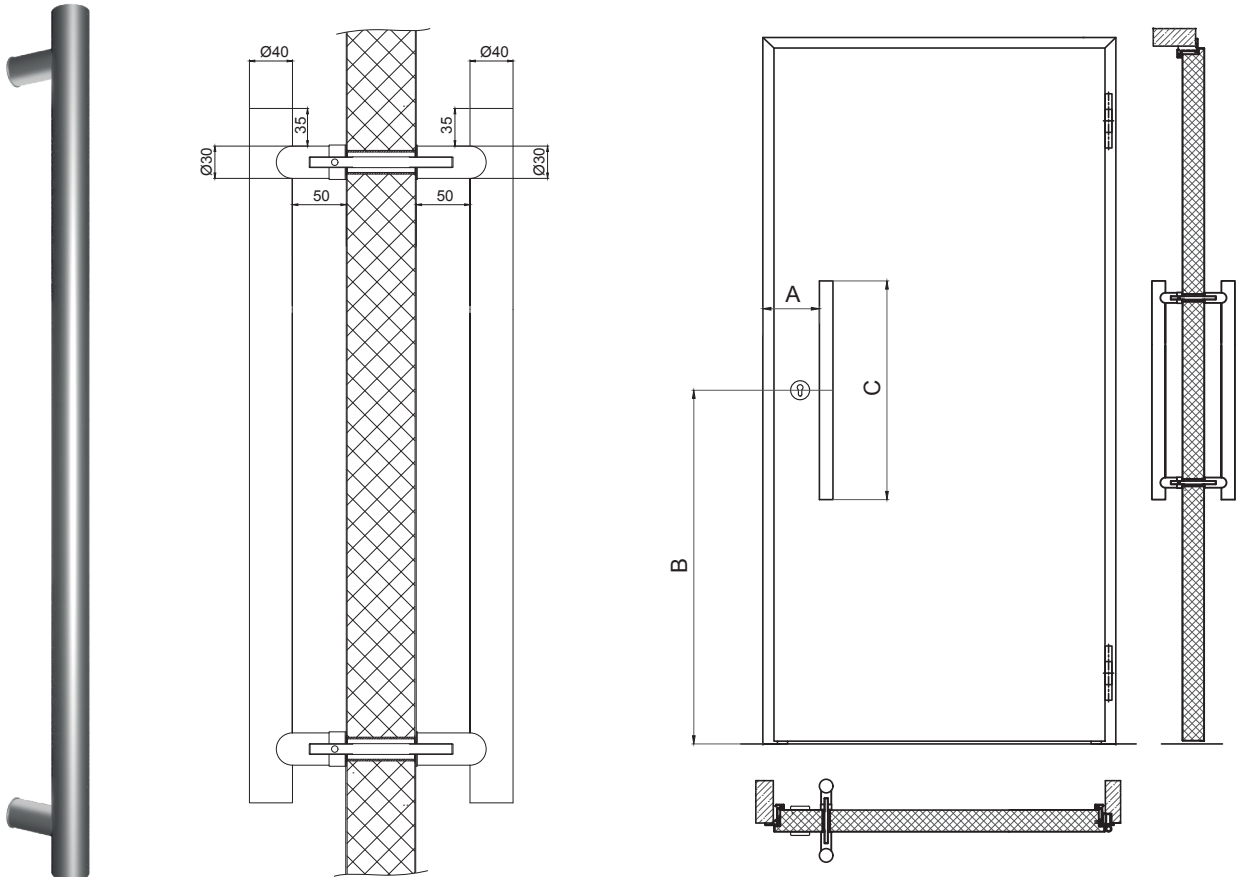
**material:**  
stainless steel 1.4301  
(304)



slanted,  
fixed on rivet nuts,  
for both fire  
and non-fire  
resistant doors

## BOTH SIDES PULL BAR, STRAIGHT, FIXED THROUGH; for non-fire resistant doors

- the fixed-through pull bar is meant for non-fire resistant doors
- minimum height: 300 mm, max height – upon establishment
- diameter: 40 mm
- material: stainless steel 1.4301 (304)
- position on door leaf aside of/above of the cylinder:  
sizes A, B, C upon establishment
- installation: on screws, through the door leaf



→ cross sections and sizes

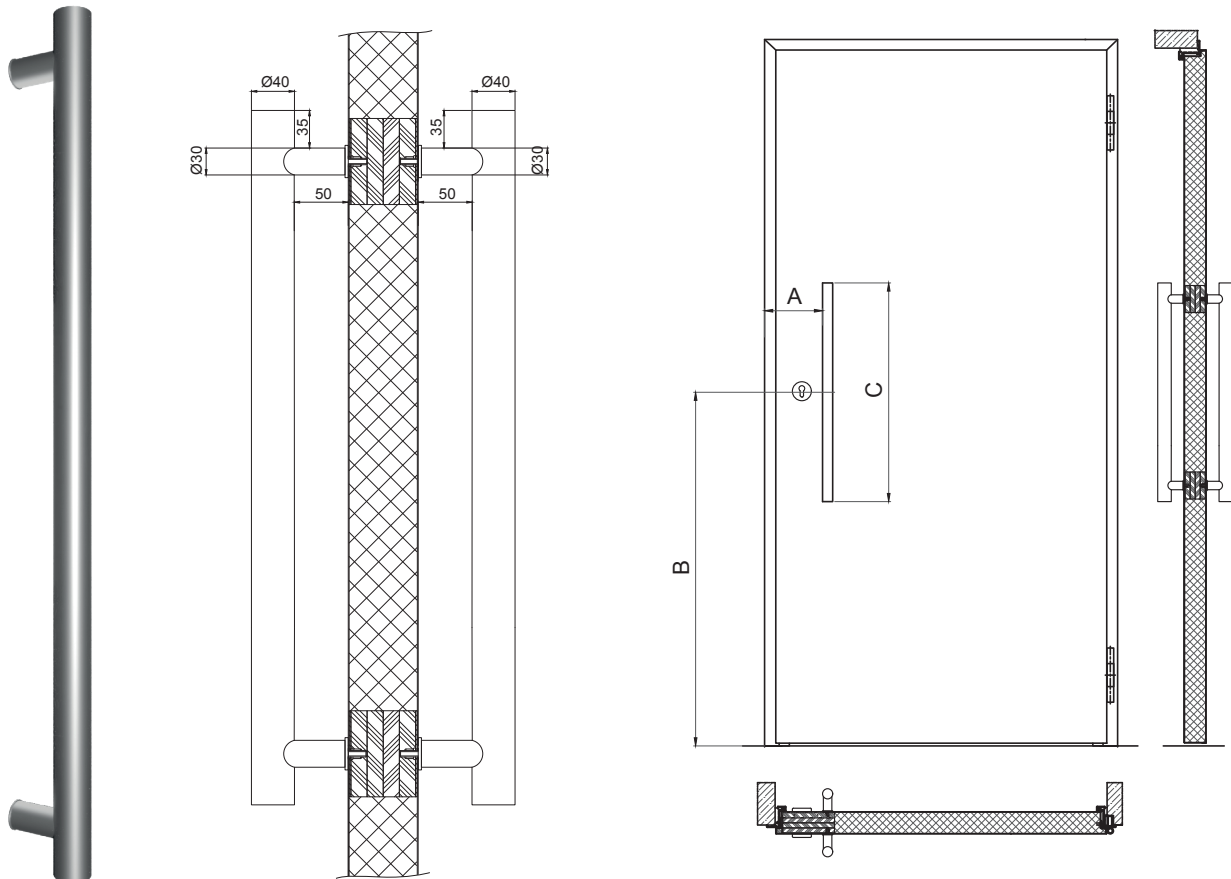
**material:**  
stainless steel 1.4301  
(304)



straight,  
fixed on screws,  
for non-fire  
resistant doors

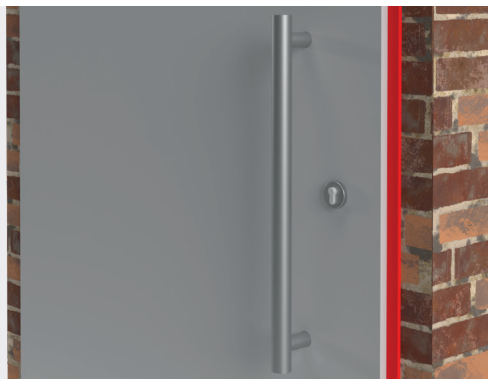
## BOTH SIDES PULL BAR, STRAIGHT, FIXED ON RIVET NUTS; for both fire and non-fire resistant doors

- the pull bar fixed on rivet nuts is meant for both fire and non-fire resistant doors
- minimum height: 300 mm, max height – upon establishment
- diameter: 40 mm
- material: stainless steel 1.4301 (304)
- position on door leaf aside of/above of the cylinder: sizes A, B, C upon establishment
- installation: on rivet nuts



→ cross sections and sizes

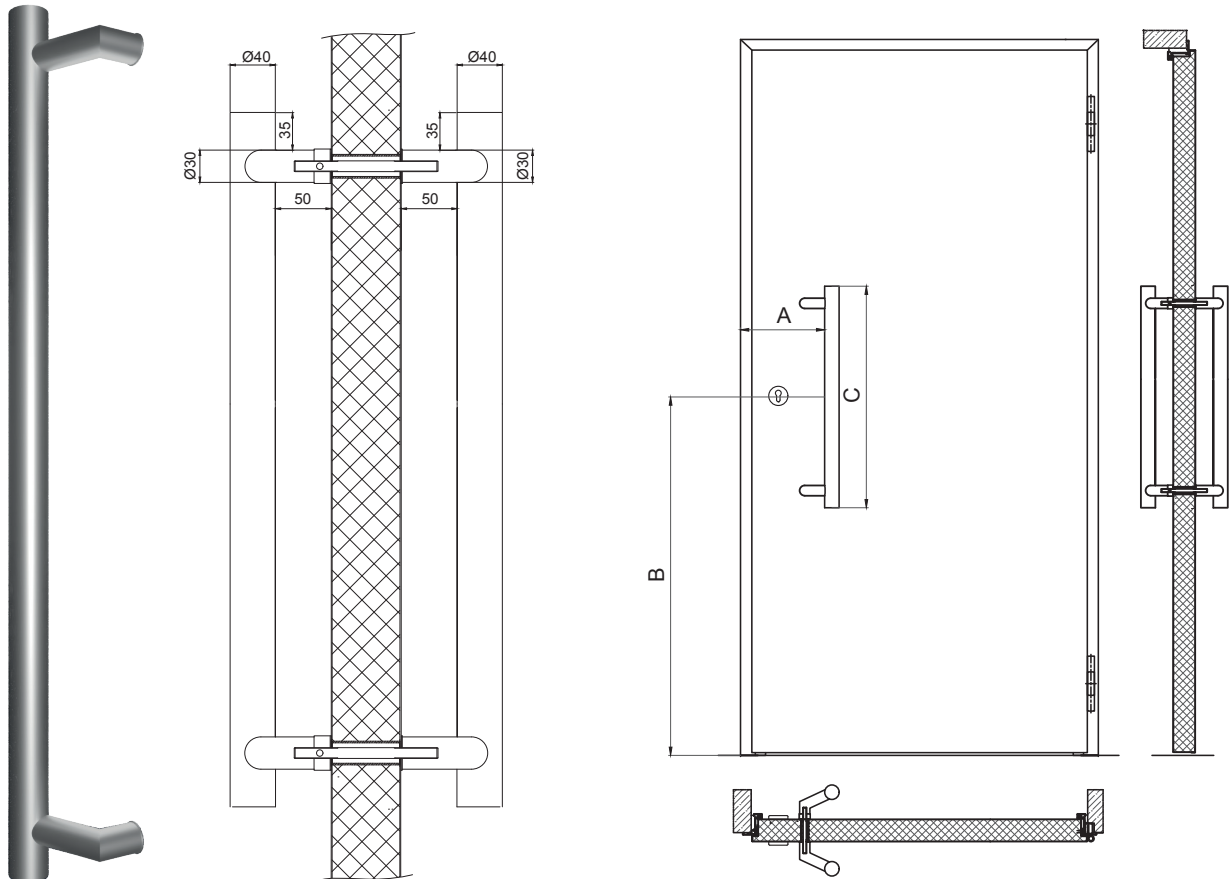
**material:**  
stainless steel 1.4301  
(304)



straight,  
fixed on rivet nuts,  
for both fire  
and non-fire  
resistant doors

## BOTH SIDES PULL BAR, SLANTED, FIXED THROUGH; for non-fire resistant doors

- the fixed-through pull bar is meant for non-fire resistant doors
- minimum height: 300 mm, max height – upon establishment
- diameter: 40 mm
- material: stainless steel 1.4301 (304)
- position on door leaf aside of/above of the cylinder:  
sizes A, B, C upon establishment
- installation: on screws; covering caps on the opposite door leaf side



→ cross sections and sizes

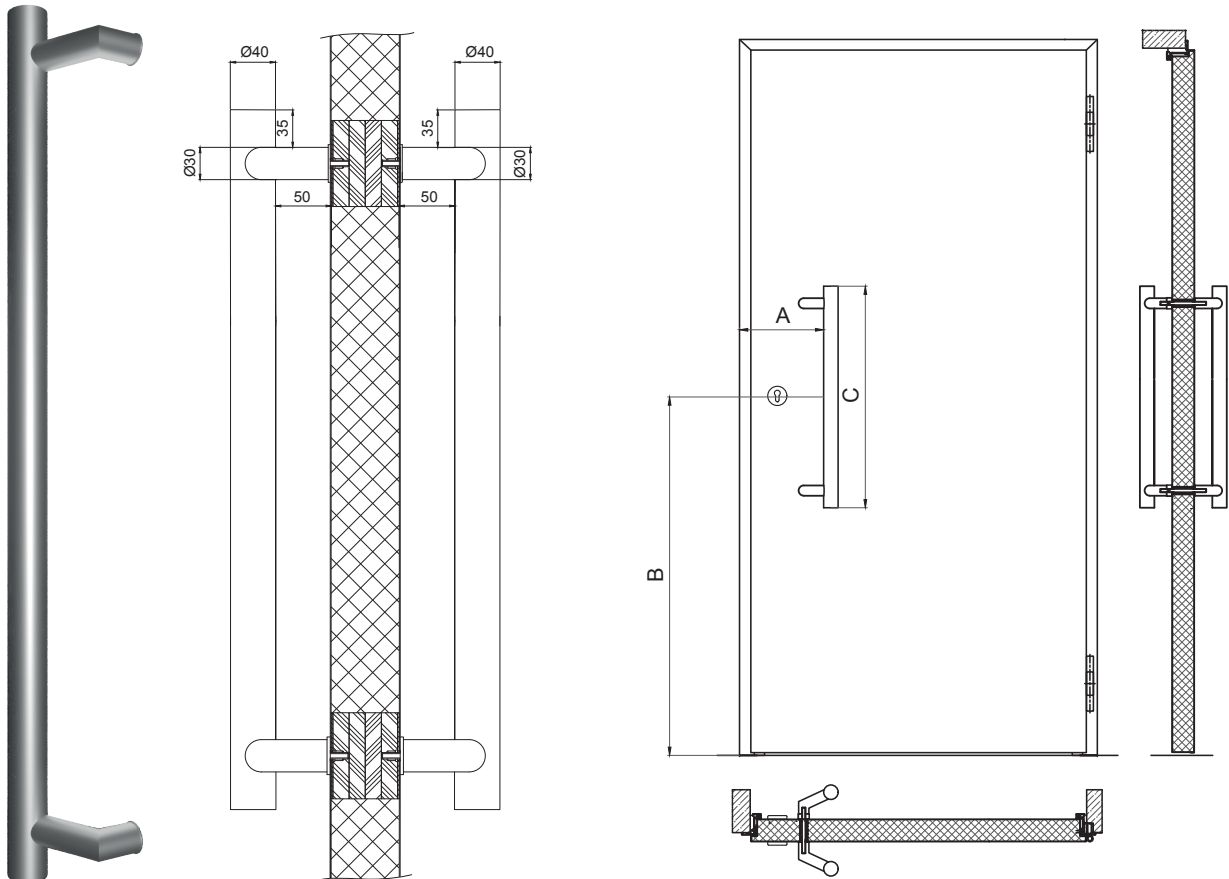
**material:**  
stainless steel 1.4301  
(304)



slanted,  
fixed-through,  
for non-fire  
resistant doors

## BOTH SIDES PULL BAR, SLANTED, FIXED ON RIVET NUTS; for both fire and non-fire resistant doors

- the pull bar fixed on rivet nuts is meant for both fire and non-fire resistant doors
- minimum height: 300 mm, max height – upon establishment
- diameter: 40 mm
- material: stainless steel 1.4301 (304)
- position on door leaf aside of/above of the cylinder: sizes A, B, C upon establishment
- installation: on rivet nuts



→ cross sections and sizes

**material:**  
stainless steel 1.4301  
(304)



slanted,  
fixed on rivet nuts,  
**for both fire  
and non-fire  
resistant doors**