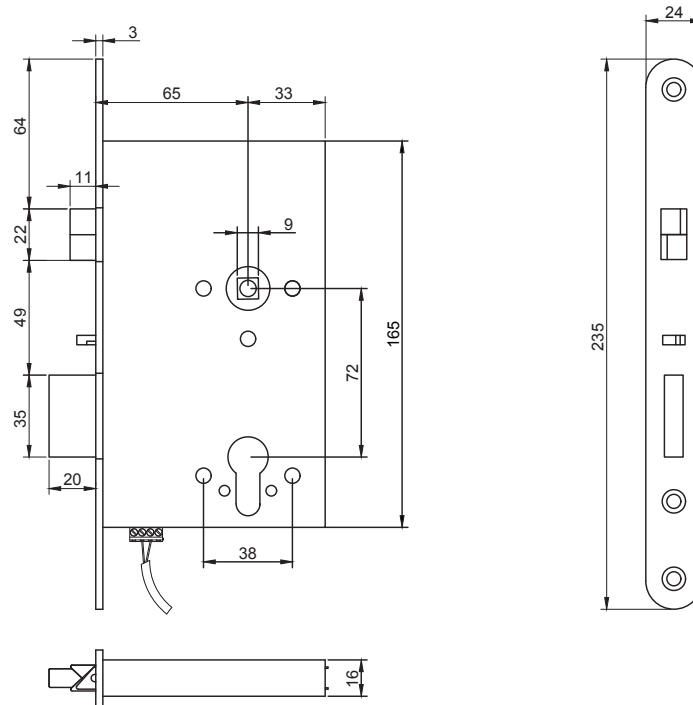


1 POINT LOCK with one side access control

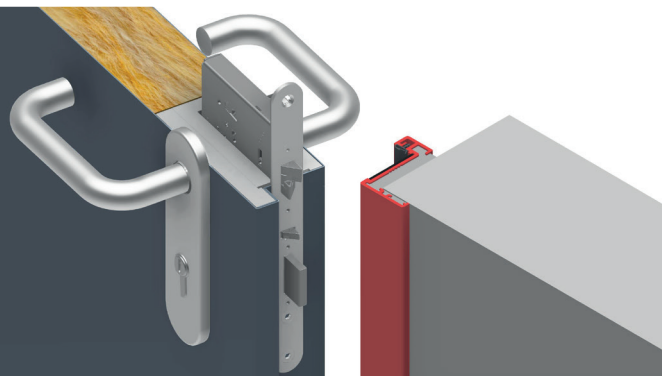


- solenoid self-locking 1 point lock for doors DFM DS 00 / DFM DS 30 / DFM DS 30B / DFM DS 60 / DFM DS 60B-1 / DFM OS 00 / DFM DS 120
- **emergency escape/panic function in concordance with EN 179 and EN 1125 upon mechanical handle usage (without electric signal)**
- most frequently used types: SVP 6000 (DormaKaba), EL 560 (Abloy), GBS 90 (ECO Schulte)
- construction: mortise, non-handed (universal) latch and deadbolt, PZ cylinder, Wechsel function
- made of galvanised steel with stainless steel 24 mm foreplate
- size (dormmass): 65 mm/72 mm, square 9 mm
- models: fail secure (NC) / fail safe (NO), 12/24 V DC
- access control on one side of door by solenoid lever handle at usage of external signal reader
- door with solenoid lock must be equipped with cable loop



→ cross sections and sizes

door
with solenoid lock
must be equipped
with cable loop

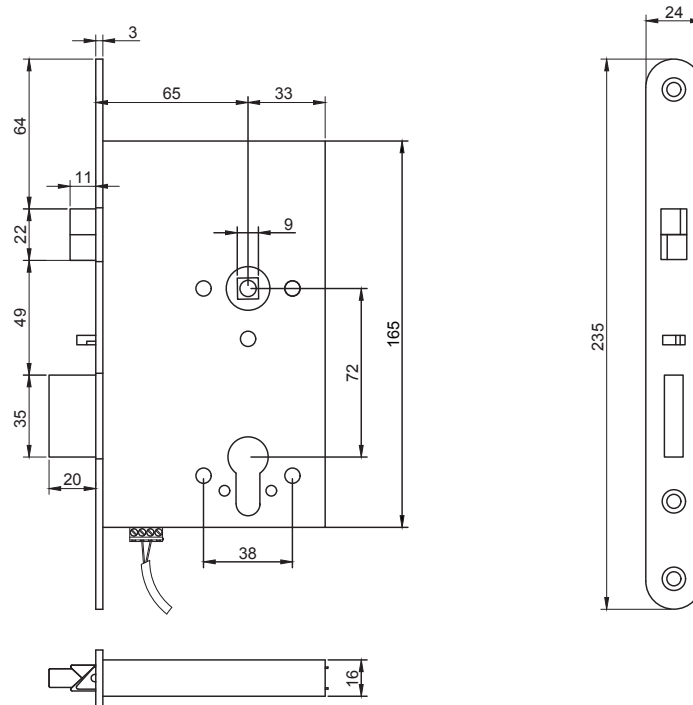


NO/NC, 12V/24V,
DIN right/left,
choice of the side
of access control

1 POINT LOCK with both sides access control

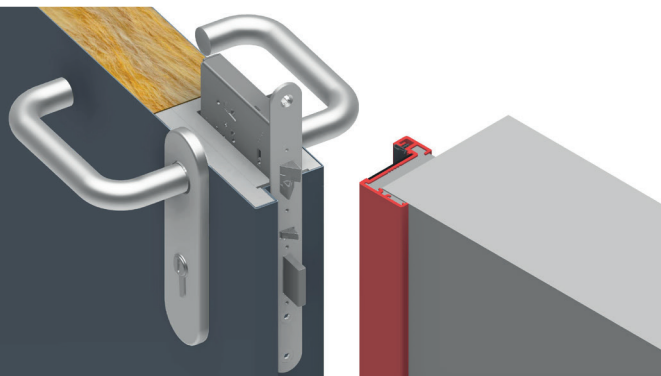


- solenoid self-locking 1 point lock for doors DFM DS 00 / DFM DS 30 / DFM DS 30B / DFM DS 60 / DFM DS 60B-1 / DFM OS 00 / DFM DS 120
- **access control on both sides of the door by solenoid lever handle at usage of external signal reader**
- most frequently used types: SVZ 6000 (DormaKaba), EL 561 (Abloy)
- construction: mortise, non-handed (universal) latch and deadbolt, PZ cylinder, Wechsel function
- made of galvanised steel with stainless steel 24 mm foreplate
- size (dormmass): 65 mm/72 mm, square: 9 mm
- models: fail secure (NC) / fail safe (NO), 12/24 V DC
- automatic latch and deadbolt locking at every doors closure without escape/panic function
- door with solenoid lock must be equipped with cable loop



→ cross sections and sizes

door
with solenoid lock
must be equipped
with cable loop



NO/NC, 12V/24V,
DIN right/left