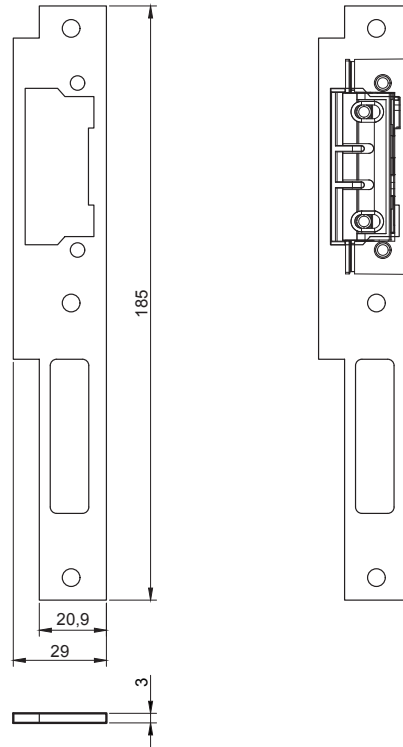
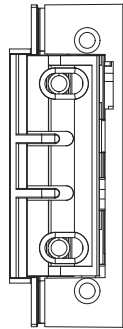


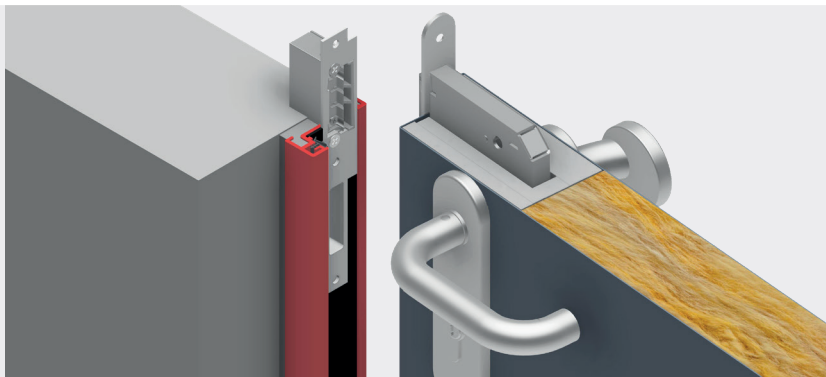


- electric strike plate series XS-C (Bira), other models at request
- mode of work-fail secure (the latch of electric strike plate is stiff without power supply)
- voltage 12 or 24 VDC
- adjustment range 3,5 mm
- **co-operates with main lock (installed at height of main lock)**
- applicable ironmongery: handle-knob, handle-pull bar
- complete with cable loop in passive door leaf in the case of double leaf doors
- electric strike plate is handed for right or left door



→ sizes and sections

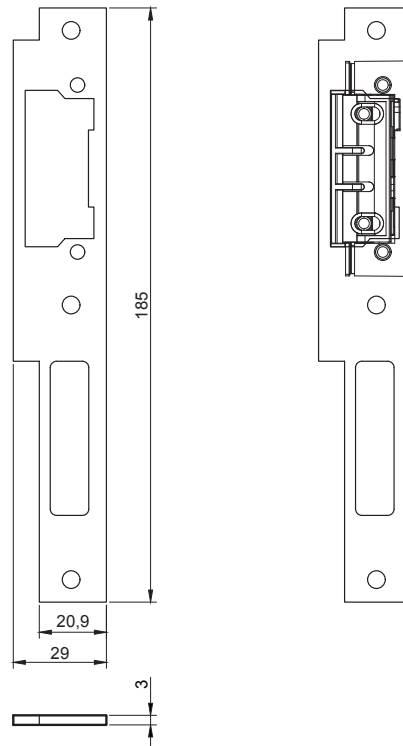
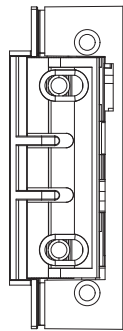
electric strike plate  
is handed  
**for right  
or left door**



available in  
**12V or 24V**

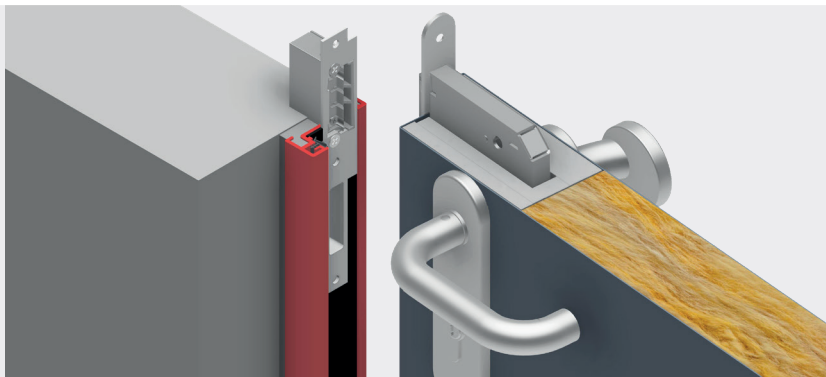


- electric strike plate series XSHD-C (Bira), other models at request
- mode of work-fail secure (the latch of electric strike plate is stiff without power supply)
- voltage 12 or 24 VDC
- adjustment range 3,5 mm
- **co-operates with main lock (installed at height of main lock)**
- applicable ironmongery: handle-knob, handle-pull bar
- complete with cable loop in passive door leaf in the case of double leaf doors
- electric strike plate is handed for right or left door



→ sizes and sections

electric strike plate  
is handed  
**for right  
or left door**

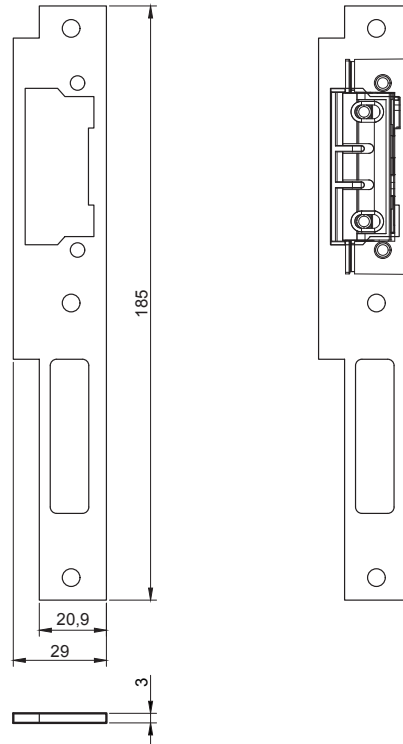
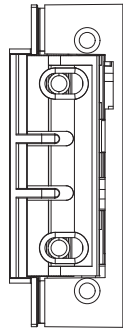


available in  
**12V or 24V**

## FAIL SAFE (NO) for non-fire resistant doors

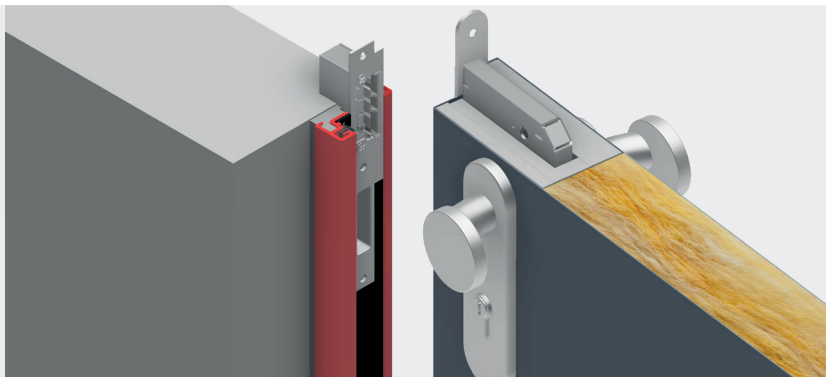


- electric strike plate series XS-C (Bira), other models at request
- mode of work- fail safe (the latch of electric strike plate is lose without power supply)
- voltage 12 or 24 VDC
- adjustment range 3,5 mm
- **co-operates with main lock (installed at height of main lock)**
- applicable ironmongery: handle-knob (one side access control), knob-knob (double side access control)
- complete with cable loop in passive door leaf in the case of double leaf doors
- electric strike plate is handed for right or left door



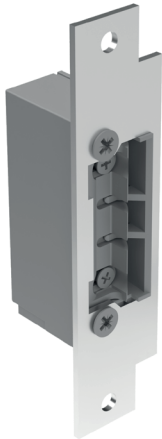
→ sizes and sections

electric strike plate  
is handed  
**for right  
or left door**

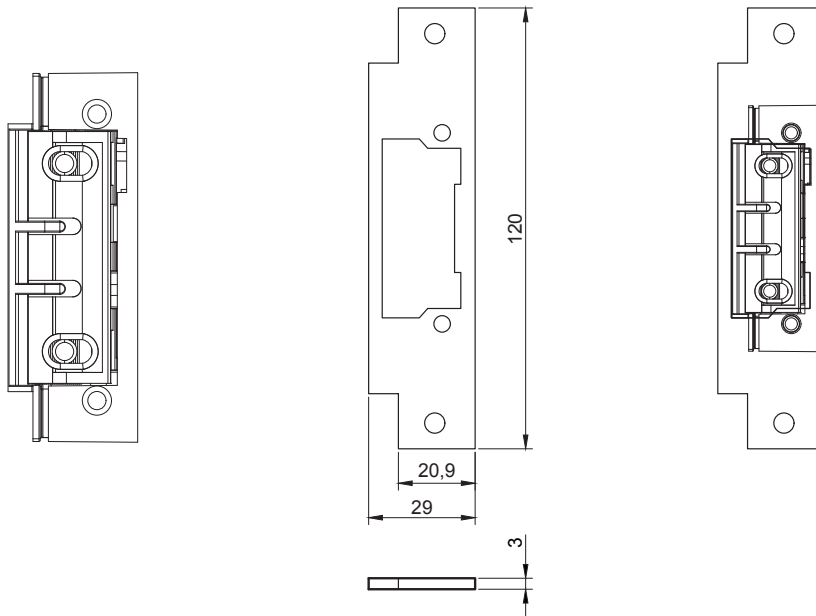


available in  
**12V or 24V**

## FAIL SAFE (NO) for non-fire resistant doors

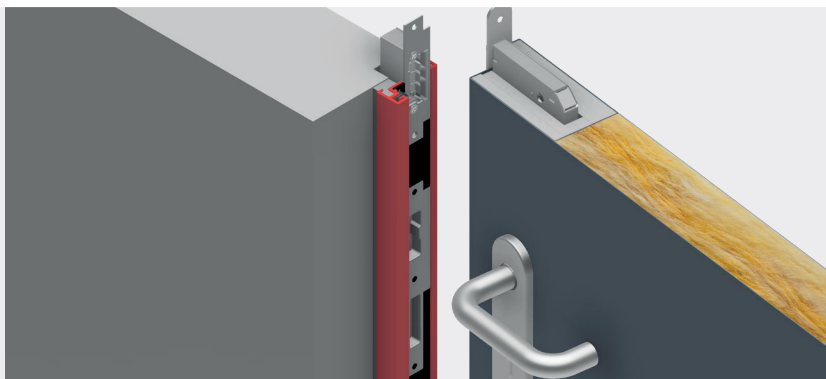


- electric strike plate series XS-C (Bira), other models at request
- mode of work- fail safe (the latch of electric strike plate is lose without power supply)
- voltage 12 or 24 VDC
- adjustment range 3,5 mm
- **co-operates with ancillary lock (obligatory installation above main lock)**
- **evacuation possible only when the power is off**
- applicable ironmongery: **handle-handle**
- complete with cable loop in passive door leaf in the case of double leaf doors
- electric strike plate is handed for right or left door



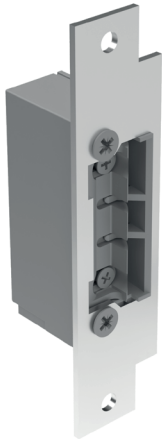
→ sizes and sections

electric strike plate  
is handed  
**for right  
or left door**

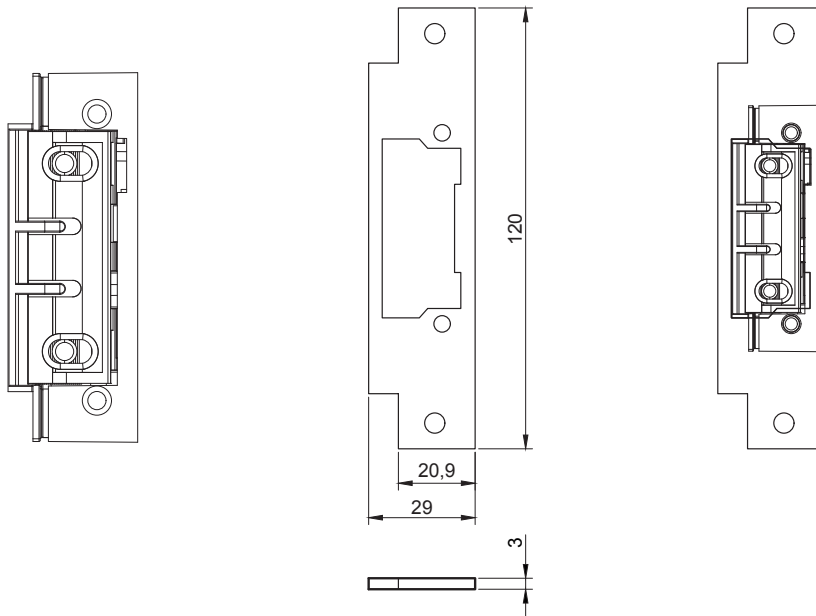


available in  
**12V or 24V**

## FAIL SAFE (NO) for fire resistant doors

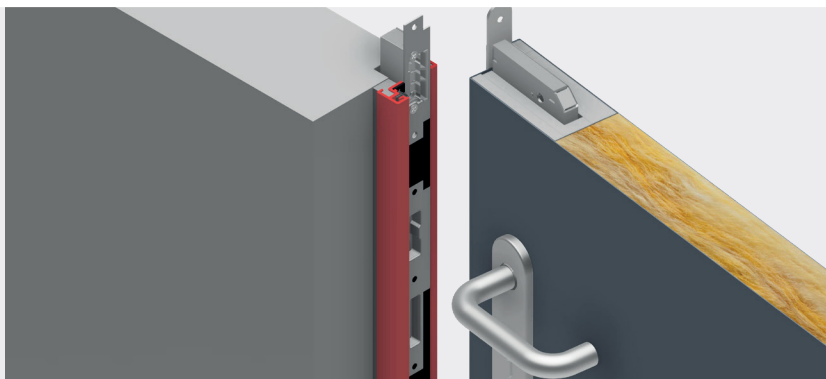


- electric strike plate series XSHD-C (Bira), other models at request
- mode of work- fail safe (the latch of electric strike plate is lose without power supply)
- voltage 12 or 24 VDC
- adjustment range 3,5 mm
- **co-operates with ancillary lock (obligatory installation above main lock)**
- **evacuation possible only when the power is off**
- applicable ironmongery: **handle-handle**
- complete with cable loop in passive door leaf in the case of double leaf doors
- electric strike plate is handed for right or left door



→ sizes and sections

electric strike plate  
is handed  
**for right  
or left door**



available in  
**12V or 24V**