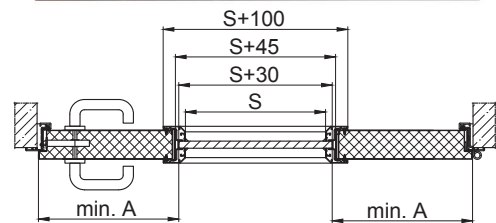
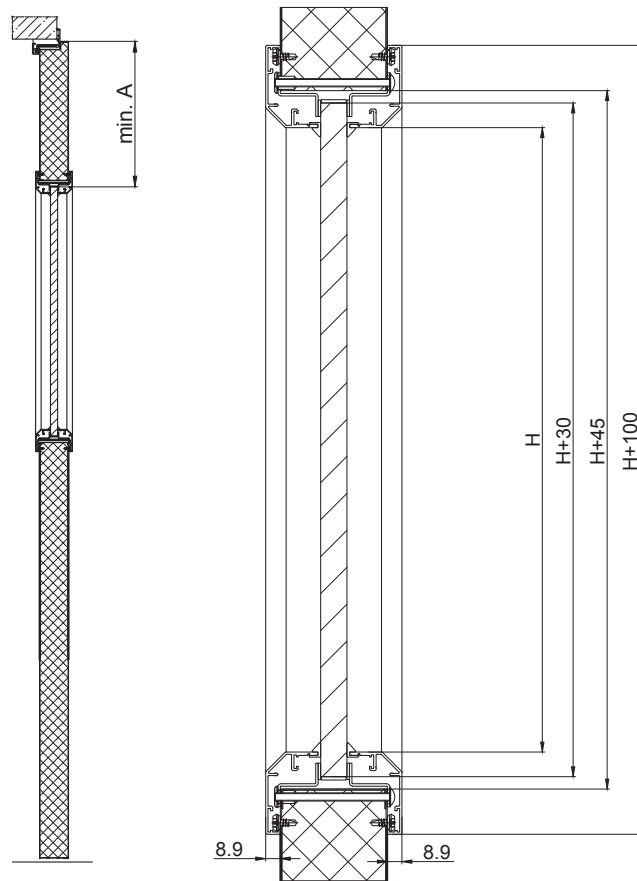


**GLAZING in aluminium frame**

- Maximum size and type of glass depends on the approval documents of particular country.
- Minimum distance (A) from edge of glass to the top and side edge of the total leaf is 223 mm for DFM DS 00, DFM DS 30, DFM DS 30B, DFM DS 60, DFM DS 60B-1 doors.
- Minimum distance (A) from edge of the glass to the top and side edge of the total leaf is 268 mm for DFM DS 90-1, DFM DS 90-1E doors.
- Aluminum decorative frame is clamped on steel mounting elements (fixings invisible).
- As standard the glazing frame is made in the same color as the door; available also in other colour (any) of RAL palette.
- Single glass or double glazing sets are available.

**GLAZING in aluminium frame**

→ Exemplary glazing arrangement

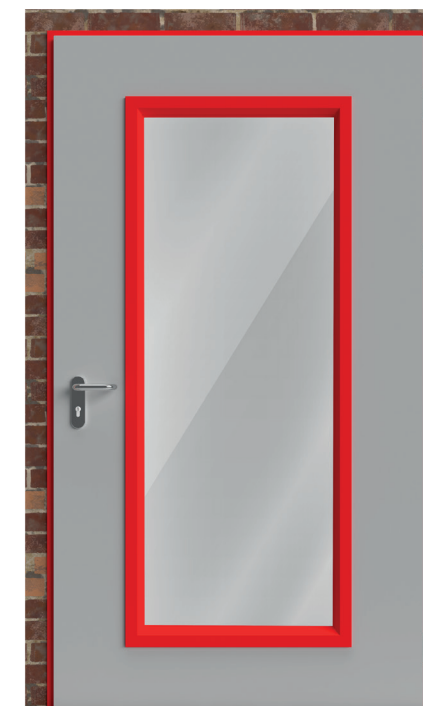
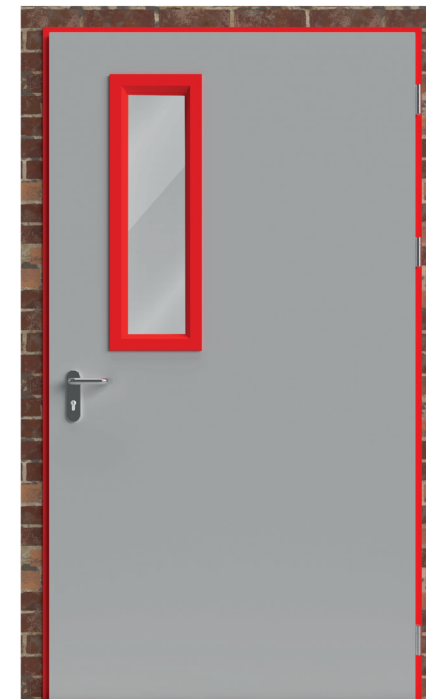


→ Cross section

→ Detail

Sales reference	Fire resistance	Single glass	Double glass set
DFM DS 00	EI 00	44.2, thickness 9 mm	33.1/14/3.3.1, total thickness 27 mm
DFM DS 30	EI2 30	Contraflam 30, thickness 16 mm Contraflam 60-3, thickness 27 mm Pyrobel 25, thickness 26,6 mm	33.2/8/Contraflam 30, total thickness 31 mm
DFM DS 30B	EI1 30	Contraflam 30, thickness 16 mm Contraflam 60-3, thickness 27 mm Pyrobel 25, thickness 26,6 mm	33.2/8/Contraflam 30, total thickness 31 mm 33.2/8/Contraflam 60-3, total thickness 42 mm
DFM DS 60	EI2 60	Contraflam 60-3, thickness 27 mm Pyrobel 25, thickness 26,6 mm	33.2/8/Contraflam 60-3, total thickness 42 mm
DFM DS 60B-1	EI1 60	Contraflam 60-3, thickness 27 mm Pyrobel 25, thickness 26,6 mm	33.2/8/Contraflam 60-3, total thickness 42 mm
DFM DS 90-1, DFM DS 90-1E	EI2 90	Contraflam 90-4, thickness 40 mm	33.2/8/Contraflam 90-4, total thickness 55 mm

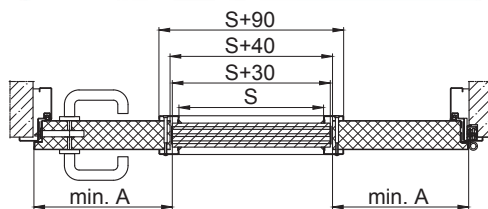
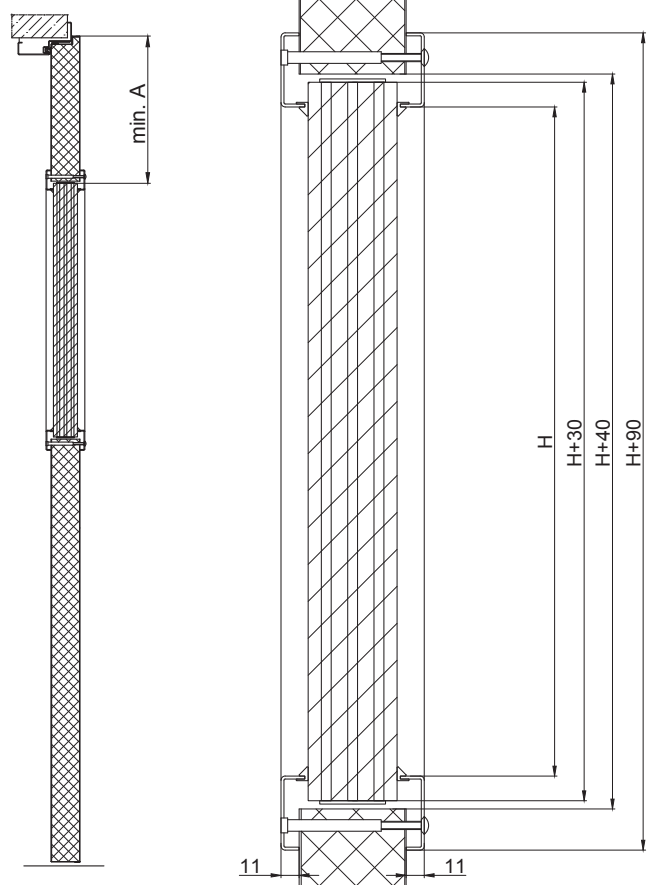
Maximum size and type of glass depends on the approval documents in particular country



Maximum size and type of glass depends on the approval documents in particular country

## GLAZING in steel frame

- Maximum size and type of glass depends on the approval documents in particular country.
- Minimum distance (A) from edge of glass to top and side edge of the total leaf is 268 mm for DFM DS 90 S doors. (min. A on the drawing)
- Minimum distance (A) from edge of the glass to top and side edge of the total leaf is 263 mm for DFM DS 120 doors.
- Minimum distance (A) from the edge of the glass to the top and side edge of the total leaf is 183 mm for DFM OS doors.
- Front and back parts of steel frame are screwed together, as standard the screws are visible on the non-hinges side and on hinges side the frame is plain; at request it is possible to reverse sides.
- As standard the frame is made in the same color as the door; available also in other colour (any) of RAL palette.
- Single glass or double glazing sets are available.



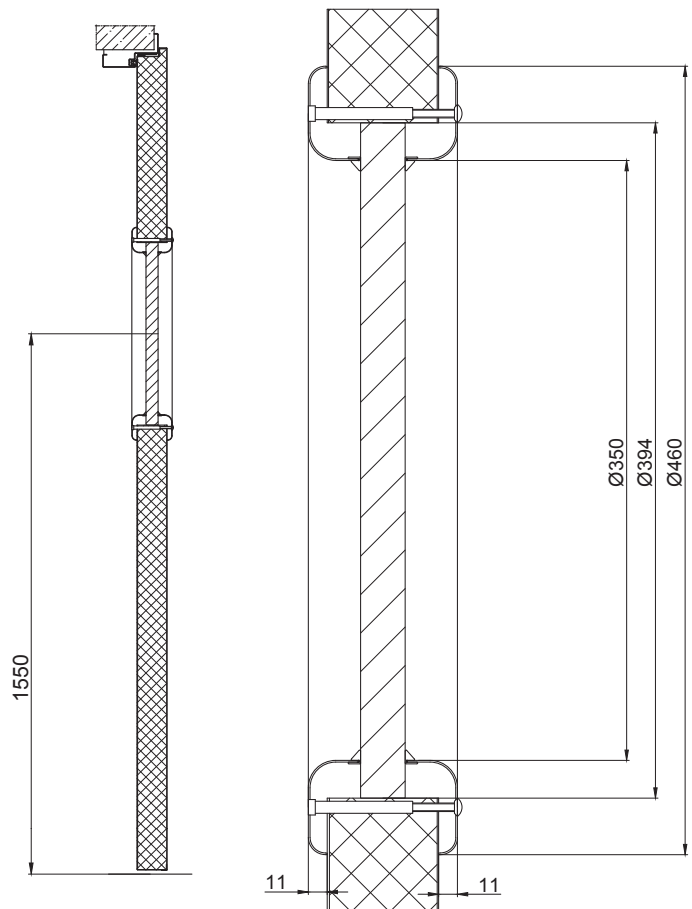
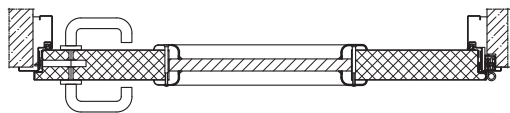
→ Cross section

→ Detail

Sales reference	Fire resistance	Single glass	Double glass set
DFM DS 90 S	EI2 90	Contraflam 90-4, thickness 40 mm	33,2/8/Contraflam 90-4, total thickness 55 mm
DFM DS 120	EI2 120	Contraflam 120-5, thickness 54 mm	33,2/8/Contraflam 120-5, total thickness 69 mm
DFM OS	EI 00, EI2 60	Contraflam 60-3, gr. 27 mm Pyrobel 25, thickness 26,6 mm	33,2/8/Contraflam 60-3, total thickness 42 mm

Maximum size and type of glass depends on the approval documents in particular country

- The dimension of round-shaped glazing is  $\varnothing$  350 mm, the possible types of glass to be used are listed in the table.
- Minimum distance (A) from the edge of the glass to the top and side edge of the total leaf is 263 mm for DFM DS 120 doors, and 183 mm in DFM OS doors
- Front and back parts of steel frame are screwed together, as standard the screws are visible on the non-hinges side and on hinges side the frame is plain; at request it is possible to reverse sides.
- As standard, the frame is made in the same color as the door, optionally it can be painted in a different colour.
- Single glass or double glazing sets are available.



→ Detail

→ Cross section

sales reference	Fire resistance	Single glass	Double glass set
DFM DS 00, DFM OS 00	EI 00	44.2 thickness 9 mm	33.1/14/3.3.1, total thickness 27 mm
DFM DS 30	EI2 30	Contraflam 30, thickness 16 mm Contraflam 60-3, thickness 27 mm Pyrobel 25, thickness 26,6 mm	33.2/8/Contraflam 30, total thickness 31 mm
DFM DS 30B	EI1 30	Contraflam 30, thickness 16 mm Contraflam 60-3, thickness 27 mm Pyrobel 25, thickness 26,6 mm	33.2/8/Contraflam 30, total thickness 31 mm 33.2/8/Contraflam 60-3, total thickness 42 mm
DFM DS 60	EI2 60	Contraflam 60-3, thickness 27 mm Pyrobel 25, thickness 26,6 mm	33.2/8/Contraflam 60-3, total thickness 42 mm
DFM DS 60B-1	EI1 60	Contraflam 60-3, thickness 27 mm Pyrobel 25, thickness 26,6 mm	33.2/8/Contraflam 60-3, total thickness 42 mm
DFM DS 120	EI2 120	Contraflam 120-5, thickness 54 mm	33.2/8/Contraflam 120, total thickness 69 mm
DFM OS 60	EI2 60	Contraflam 60-3, thickness 27 mm Pyrobel 25, thickness 26,6 mm	33.2/8/Contraflam 60-3, total thickness 42 mm

The dimension of  
round-shaped  
glazing  
is  $\varnothing$  350 mm